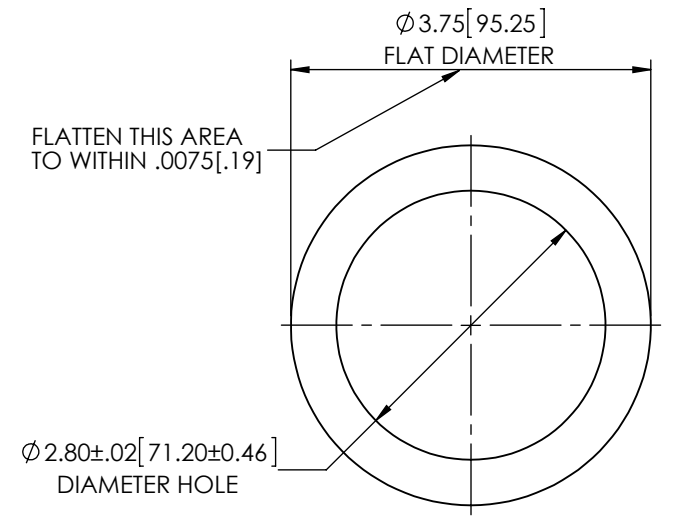
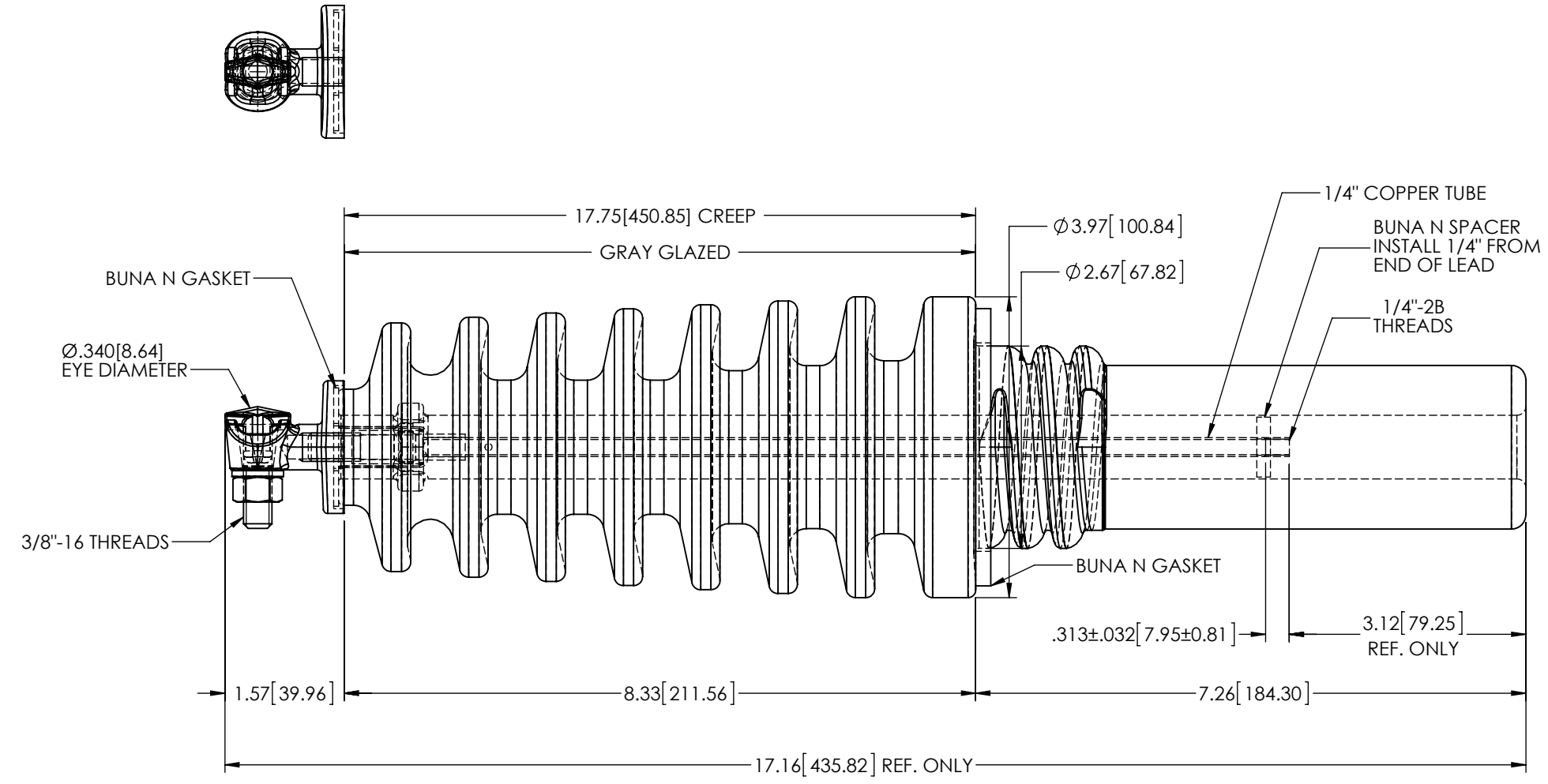
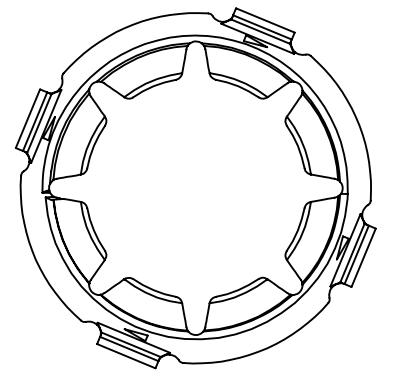


REVISIONS					
REV.	DATE	ECN #	DESCRIPTION	BY	APPROVED



H.V.TANKHOLE DIMENSIONS

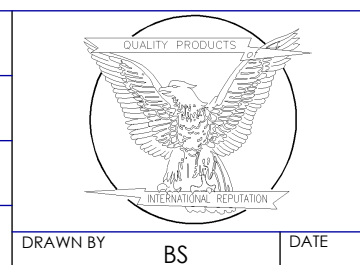


STEEL SPIN-GRIP NUT PACKED IN BULK

MATERIALS:
 EYEBOLT - C95500 TIN-PLATED
 H.V. CAP - C84400 TIN-PLATED
 PORCELAIN NOTES:
 1. GRAY GLAZE MUNSELL 5BG 7.0/0.4
 2. TOLERANCE ±3% WITH NOTHING LESS THAN ±.03, UNLESS OTHERWISE NOTED ON DRAWING.

PROPRIETARY AND CONFIDENTIAL
 THE INFORMATION CONTAINED IN THIS DRAWING IS THE SOLE PROPERTY OF H-J ENTERPRISES, INC. ANY REPRODUCTION IN PART OR AS A WHOLE WITHOUT THE WRITTEN PERMISSION OF H-J ENTERPRISES, INC. IS PROHIBITED.

TOLERANCES (EXCEPT AS NOTED)	
DECIMAL	+/- .032"/.8mm
FRACTIONAL	+/-
ANGULAR	+/- 2 Degrees



H - J ENTERPRISES, INC. 3010 HIGH RIDGE BLVD. HIGH RIDGE, MO. 63049 USA PHONE 1-636-677-3421 FAX 1-636-376-1915			
18 KV H.V. BUSHING ASSEMBLY			
MATERIAL (SEE DRAWING)			
CHK'D NK	APP'D 1/3/14	DRAWING NO. AS1133-012	
DRAWN BY BS		DATE 1/3/2014	SCALE N.T.S.